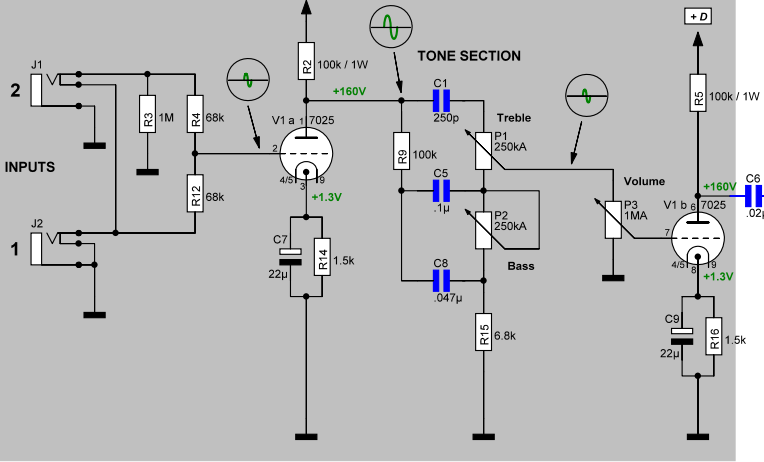
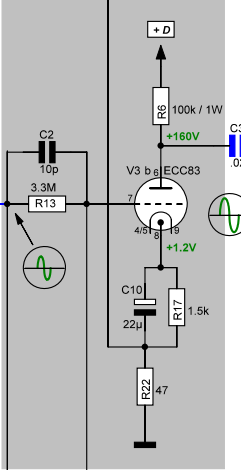


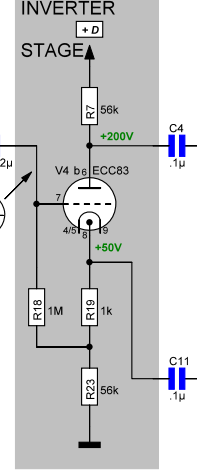
PREAMP STAGE



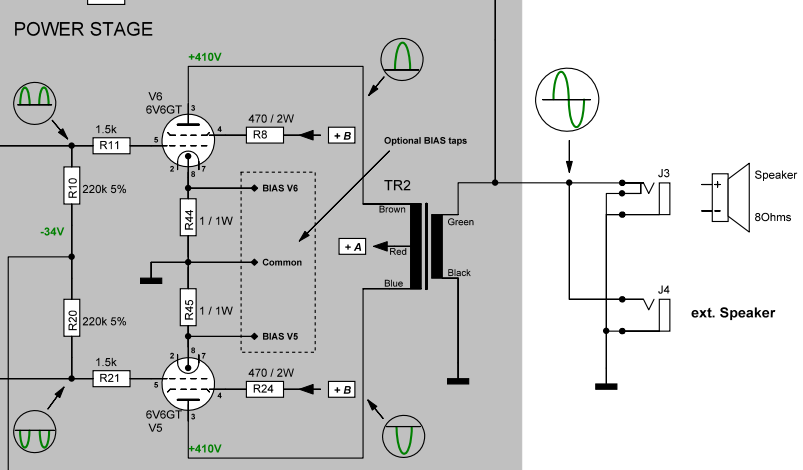
GAIN STAGE



PHASE INVERTER STAGE

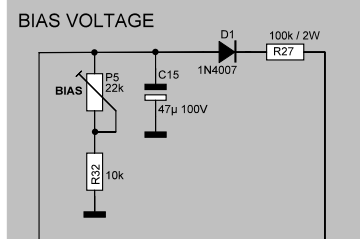
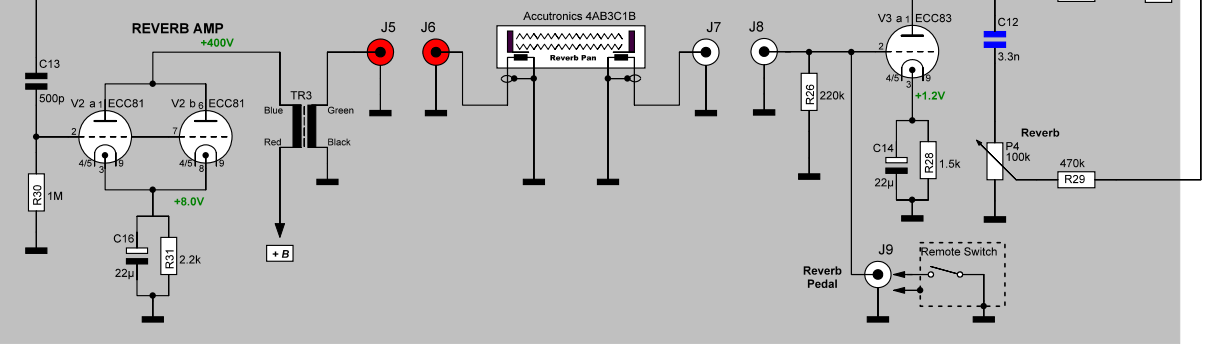


POWER STAGE



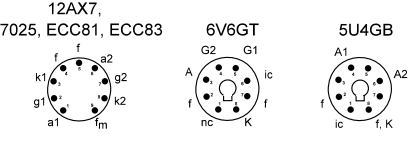
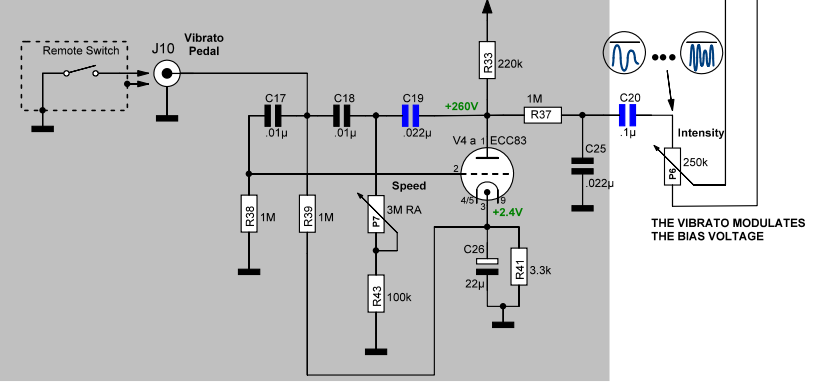
TR1: 125P1B
TR2: 125A10B
TR3: 125A20B

REVERB STAGE

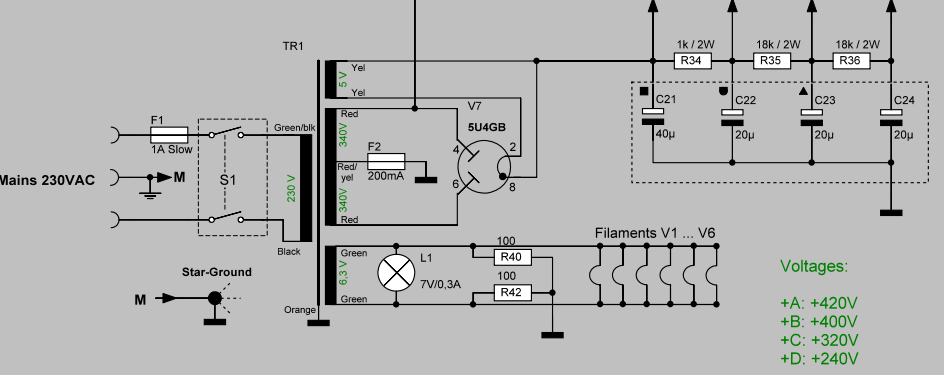


COUPLING CAPACITORS. BLOCKING DC FROM FORMER STAGE. THE VALUE AFFECTS FREQUENCY BAND.

VIBRATO STAGE



POWER SUPPLY



Note:
All resistors 1/2 Watt 10% tolerance, if not specified. All capacitors at 630 Volt rating, if not specified. Electrolytic capacitors attached to the cathodes are at least rated 25 Volt. Voltages read to ground with electronic voltmeter. Values shown may have a tolerance of + or - 10%.

Princeton Reverb Amp Clone (AA1146)			
Sheet		Circuit-Diagram	
Code	Document	princeton_reverb_docs_new.sp7	Rev.
BB2008			A5
Date	01.07.2015	Last edit	17.22.03
Sheet		Sheet	1 of 3