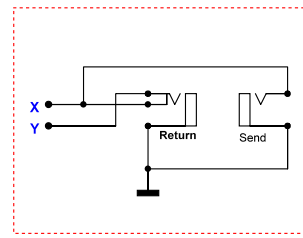
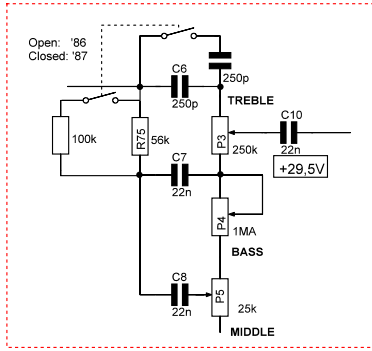
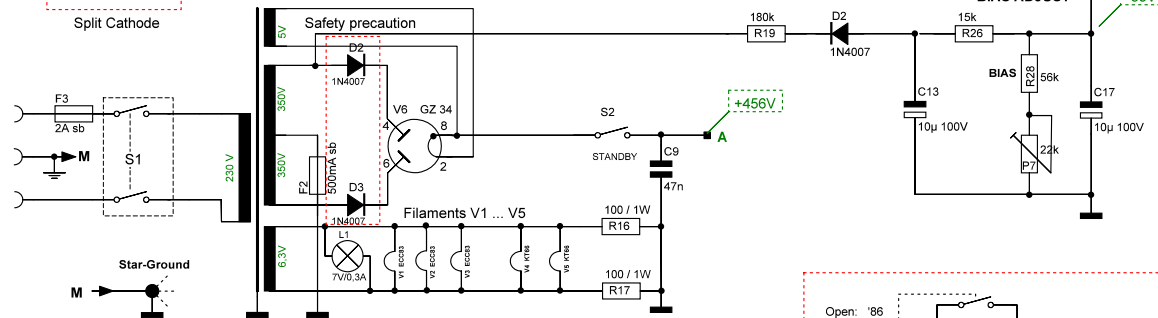


DC Voltages may vary by 10% depending on component tolerances.

If the amplifier generates noise in operation, although the wiring is correct, then swap the wires going from the OT to the plates of the power tubes.



V1 - V3: ECC83
V4 - V5: KT66
V6: GZ34

TR1: Welter N6-US with H96oF
TR2: Welter Ü-JTM45
CH1: Welter DR1

JTM45 - Model	
Modifications	
	Version
BERND BRIESKORN, 2017	August 2017