

Schematic for two jacks (high-, low input scheme)

Plugged into 1: Both 68k are in parallel building 34k resistance.

The load resistance is 1M (high gain input).

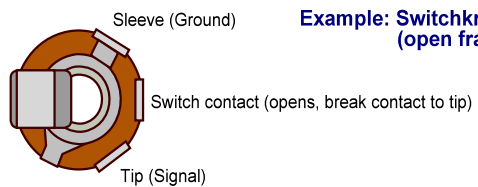
Plugged into 2: Signal goes through single 68k resistor.

1M resistor is shortened. Load resistance is 68k. (low gain input).

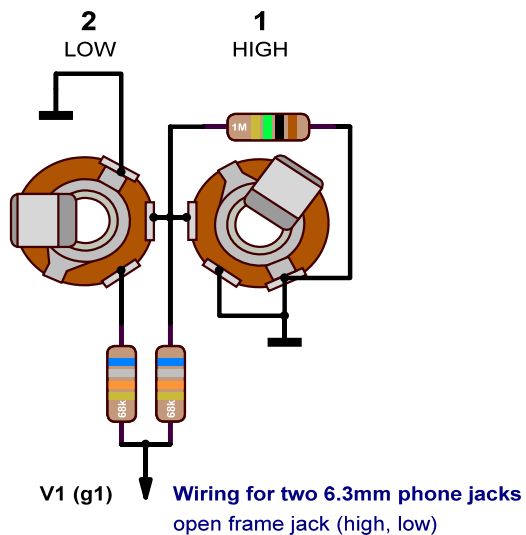
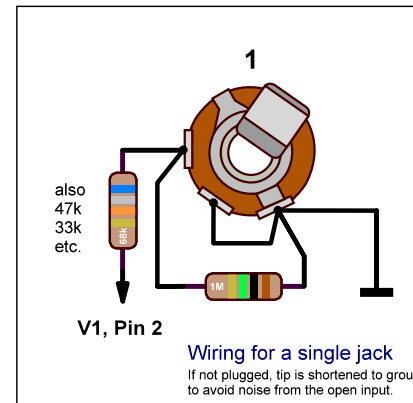
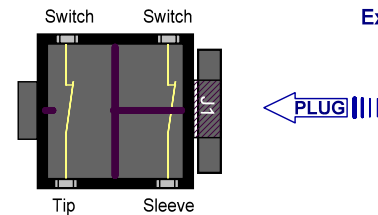
Both plugged : Both inputs are wired to high gain input.

* It's best choice to place both resistors directly to tube socket (avoid radio interference).

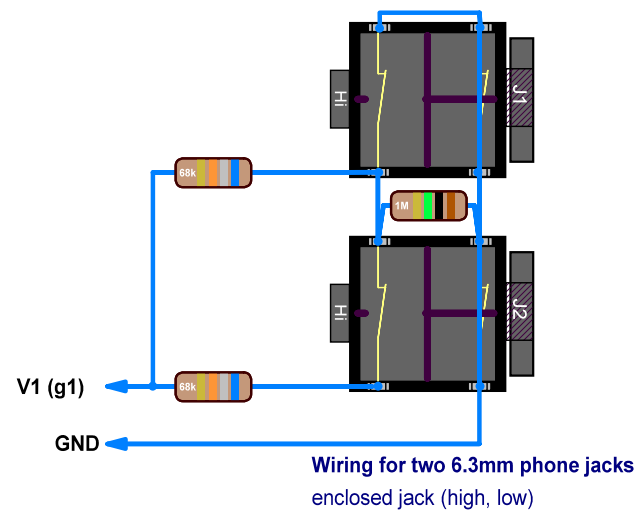
Example: Switchkraft type 12A (open frame jack)



Example: CLIFF (enclosed jack)



Wiring for two 6.3mm phone jacks open frame jack (high, low)



Wiring for two 6.3mm phone jacks enclosed jack (high, low)

Amplifier Wiring	
Input Wiring (high-, low scheme)	
2011 Dipl.-Ing B. Brieskorn	